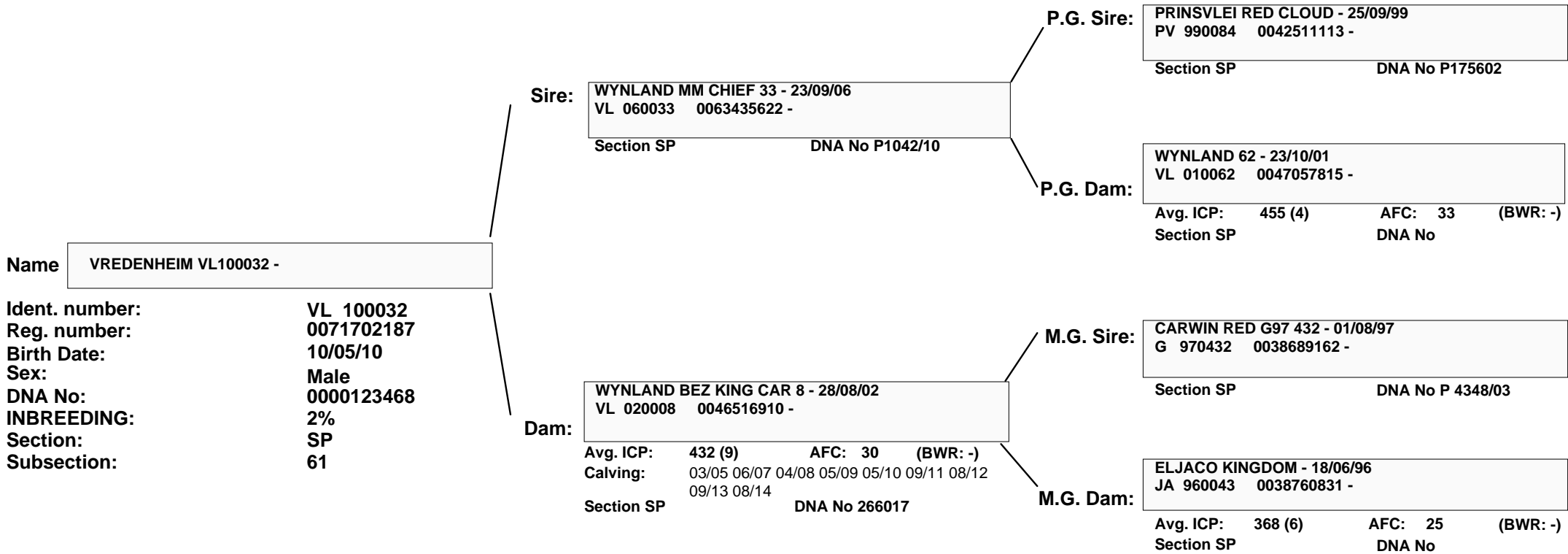


# Three generation pedigree

compiled by the S.A. Stud Book and Animal Improvement Association



	CALVINGWEIGHT		MATERNAL CHARACT		GROWTH AND EFFICIENCY					REPRODUCTION			FRAME		CARCASS		
	Birth Dir	Wean Dir	Birth Mat.	Wn. Mat.	12M	Mature Wgt	ADG	FCR	KLB	SCR	Frame Score	Lgt.	Result	Meat	Marbling		
<b>03/2016 BRD INDEX</b>	101	102	102	97	102	99	104	98		103	105	104	-	-	83		
<b>BREEDING VALUES</b>	0.83 <sub>61</sub>	17.5 <sub>52</sub>	0.33 <sub>42</sub>	5.2 <sub>37</sub>	27.2 <sub>61</sub>	28 <sub>22</sub>	144 <sub>57</sub>	-47 <sub>19</sub>		15.7 <sub>67</sub>	0 <sub>68</sub>	32 <sub>64</sub>	-	0.0 <sub>15</sub>	-0.57 <sub>12</sub>		
<b>MEASURE</b>	36	262			12M	18M	1584	-			1425	1257					
<b>CONTEMPORARIES</b>		7			-	-	13		13	<b>TEST D11</b>							
<b>INDEX</b>		94			-	-	108	-	101								